

ON-OFF DAMPER ACTUATOR

(AC 24V) (GDA-20A)



Description

GDA-20A is motor operated ON / OFF damper actuator to open and close damper which can be used for HVAC air handling units.

Usage

- ▶ Used for operating damper for ventilating and Air handling facilities.
- ▶ Nominal Torque is 20Nm and can be covered damper surface area for 4㎡.
- ▶ Used for ON / OFF damper control.
- ▶ Used for air damper, ventilating gas damper, etc.

Function

- ▶ Select operating direction (CW or CCW) by changing the connection of wiring.
- ▶ Actuator will move within 0° or 90° in case of normal input supply power.
- ▶ When the power is OFF at AC24V , Actuator will stop moving at the current position.

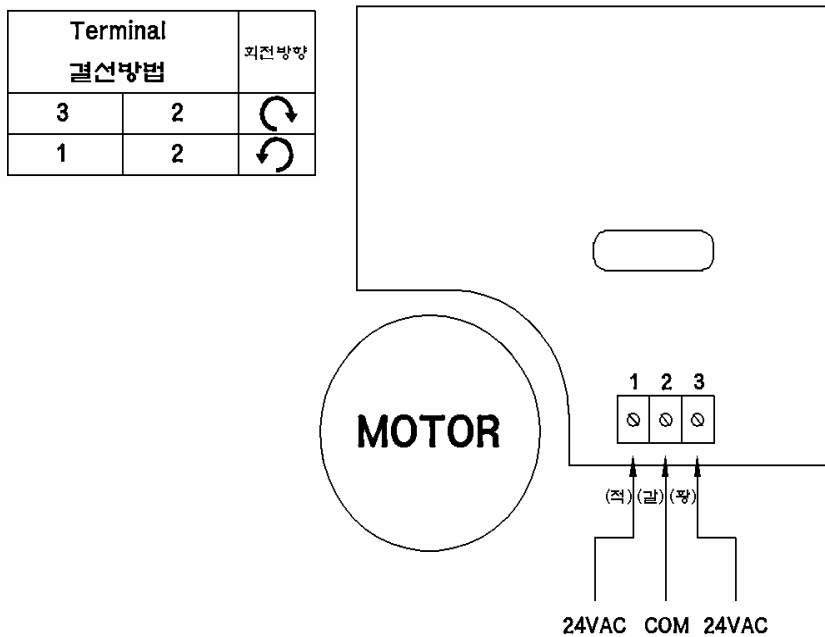
TECHNICAL DATA

Model(optional)	GDA-20A
Supply Voltage	AC 24V ±10%
Frequency	50 / 60 Hz
Power Consumption	5.5VA (3W)
Control Signal	ON / OFF Switch
Torque	20 Nm
Rotation Range	0 ~ 90°
Mechanical Rotation Range	95°±2° (mechanical limit at 95°)
Direction of Rotation	Forward/Reverse direction (changing wire connection)
Operating Tie	Approx. 110 sec.
Ambient temperature	:-30 ~ +50℃, below 95%RH
Connecting Cable	0.5sq.mm ~ 1.5mm
Noise Degree	45 dB
Protection Housing Class	IP 42
Weight	1.67 Kg
Applicable Damper Shaft	Φ10~Φ20 (round), □10~□16 (square)

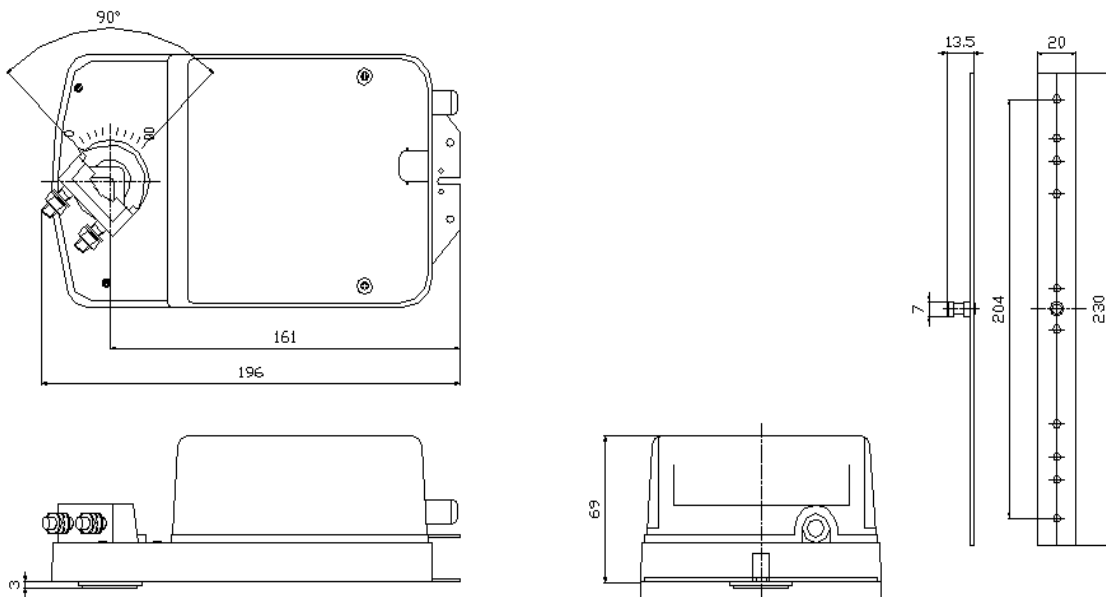
Mounting Notes

- ▶ **Mounting Bracket:** To mount actuator on damper axis directly, it must be used bracket, and fixing pin of mounting bracket should be correctly fixed into the groove of Actuator.
- ▶ **Mounting Location:** Select easy location for setting dial of front side of actuator and cable connection.
- ▶ **Manual Control:** According to mounting procedures, and press manual control button first and adjust shaft adaptor and location indicator.
(in case of manual control, power should not be connected)

Wiring Diagram



Dimension



|-----|
124