

PIPE TEMPERATURE CONTROLLER (GPC-1100)



Description

- "GRC" Proportional Pipe Temperature Controller is designed to be used for controlling the temperature of Pipe and Tank.
- Operating Voltage : AC 24V
- Heating and Cooling exchanging function
- Built-in temperature transmitter method(Pt 1000)
- Control Output Signal : 0~10V DC
- Functions :
 - Heating: when the switch is at heating point, valve is to open in case the Temperature of duct or tank is lower than setting point.
 - Cooling: When the switch is at cooling point, valve is to open in case the temperature of duct is height then setting point.

Technical Data

- SUPPLY VOLTAGE : 24V AC \pm 20%
 - FREQUENCY : 50 or 60Hz
 - POWER CONSUMPTION : 0.5VA
 - CONTROL RANGE : 20 ~ 110 $^{\circ}$ C, (0~50 $^{\circ}$ C: Order)
 - CONTROL SIGNAL : 0 ~ 10 VDC.
 - SENSING ELEMENT : Pt1000 Ω
 - AMBIENT TEMP&HUMI :
 - 1) On Operation : at -15~+70 $^{\circ}$ C below 95% Rh
 - 2) On Transportation : at -15~+80 $^{\circ}$ C below 95% Rh
 - PROTECTION CLASS : IP30
 - WEIGHT : 0.5Kg
-

Technical Design

- **This unit is designed for P-control.**

Based on the differences between detected temperature and pre-set point, This controller gives out put control signal(0~10V DC)

- A variable is from 0 to 100%
- A variable is to control signal by means of mutual proportional relation.

Adjustments

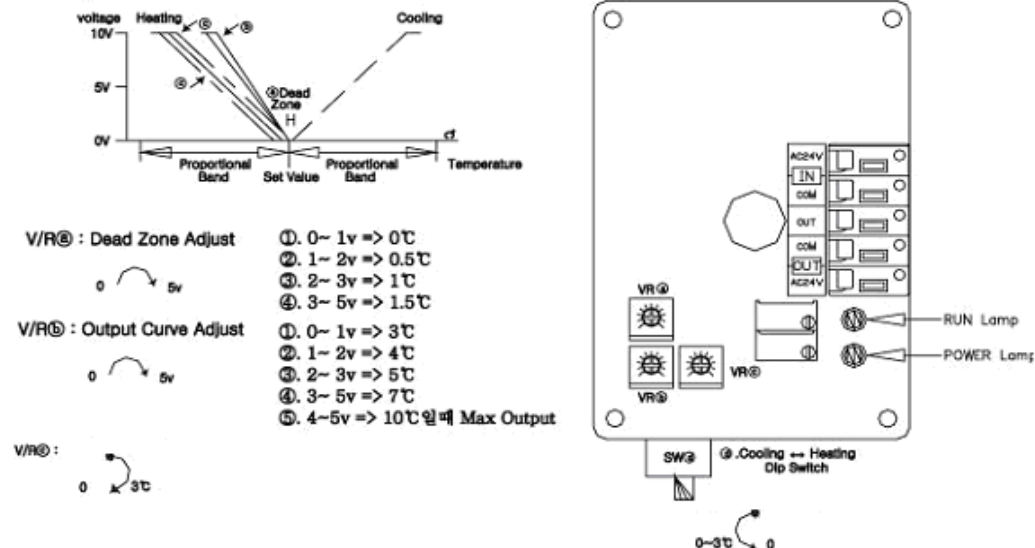
- Mode transition switch is built in for heating and air-conditioning.

Desired Temperature is set by turning the rotary knob located on the front of the controller.

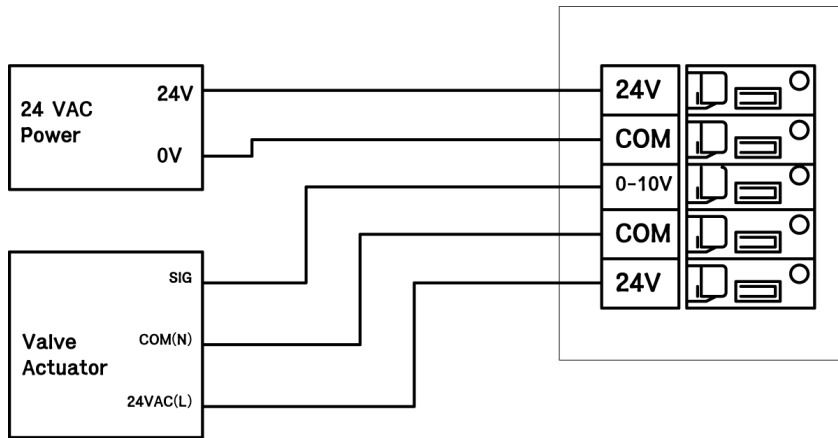
Mounting Notes

- When nominal pressure is above $6\text{Kg}/\text{cm}^2$, Please use Well as Drill Bar.(This is option by customer's requirement.)
- Well should be mounted in the Elbow toward the opposite direction of the flow.

Temperature Controller Adjust



Wiring Diagram



AC24V and AC 24V, GND and GND - inside PCB common

Dimension

